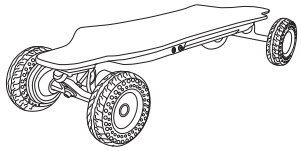


# Jupiter-01

## Dual belt motor

### Long board



USER MANUAL

Thank you for buy our electric skateboard  
Do note that an electric skateboard is not a toy. Please take time to learn it and read this manual carefully. Particularly the safety instruction pages.  
We hope you will enjoy this product and have lots of fun with it in the future

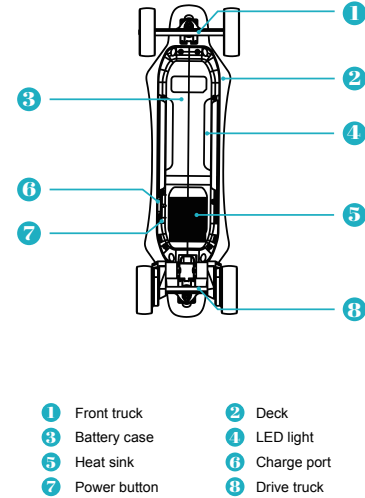
1

#### PREPARATION

1. Be sure that wear a helmet and safty gear when you ride it
2. Confirm the front direction of the skateboard
3. Confirm the position on the skateboard. The feet stand on the widest front and back skateboard.
4. Please start with the low speed mode to be familiar with the accelerate and brake of the skateboard.
5. Please stop riding by remote control brake operation, then get down your front foot at first and then get down your back foot.

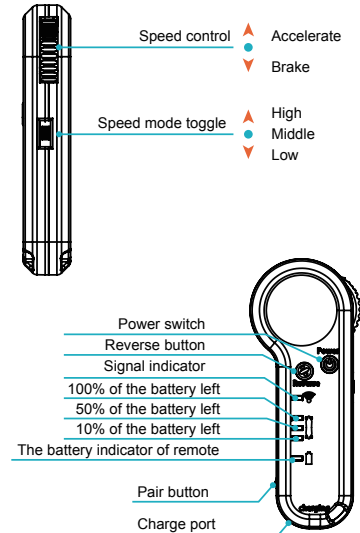
2

#### PARTS DIAGRAM



3

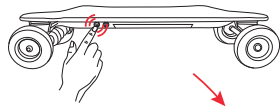
#### REMOTE CONTROL



4

#### PAIR INSTRUCTION

At the first step, the Board and Remote must be paired. Before starting, to ensure the Board and Remote are turn off.



Turn on the board



Press the power button for 5 seconds, then the power button light will flash.



Turn on the remote, then press the pair button. the signal indicator will flash and the power button light will flash with same frequency. Then means the paired successfully.

Push the joystick, forward to test the accelerate and backward to test the brake. After tested all function work normal you can start your riding.

5

#### SPECIFICATION

Electric skateboard	6inch TPE wheel	83mm PU wheel
Max Speed	18KM	40KM/H
Max Mileage	20KM	20KM
Max load		150KG
Climbing ability		20°
Gross weight		13.9KG
Deck Complete skateboard	Net weight	9.8KG
	Product size	970x310x175mm
	Package	1025x250x375mm
Battery Pack	Material	8 layers canadian maple
	Size	970x260mm
	Capacity	6000mAh/7500mAh
Motor	Type	N5085 brushless motor
	Power	Dual-motor 1000W*2
	Material	Silicone
Wheel	Size	150*40mm
	Hardness	70A
	Capacity	200mAh
Wireless Remote Controller	Distance	14M

6

#### SAFETY INSTRUCTIONS

- ⚠ The electric skateboard is not a toy, should be treated with appropriate caution. Always practice safety first as it is possible to lose balance and cause a collision or fall. Ensure that you use the board in a safe appropriate environment, and always wear appropriate safety gear.
- 🧑 Safety Gear: we recommend that you wear full safety gear while riding. Please wear a suitable skateboard helmet, elbow pads, knee pads, and gloves.
- 👟 Wear shoes: Flipflops or similar loose footwear are not suitable for riding wear.
- 10+ The skateboard is designed for rider over 10 years old and above.
- 🚫 Only one person riding for each skateboard at a time. The maximum load of the board is 150kg. Exceeding this weight will compromise the structural integrity of the skateboard, as well as remote and functionality, and may cause board damage, losing control or other breakage.

7

USER MANUAL

- 🚫 Please observe your local traffic laws and regulations.
- ⚠ The board is designed to drive on flat and paved surfaces. Avoid driving on sand, gravel, mud, rugged or open ground. Do not drive on slippery ground, such as snow, ice or wet ground.
- 🚫 Keep fingers, hairs, and clothing away from motors, wheels and moving parts.
- 🚫 Do not open or tamper with electronics housing. Electricschock is possible and this also voids the warranty.

8