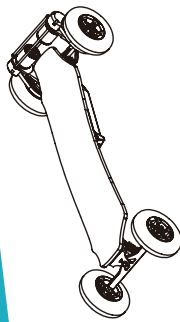


H2C-01 Belt motor off-road skateboard



USER MANUAL

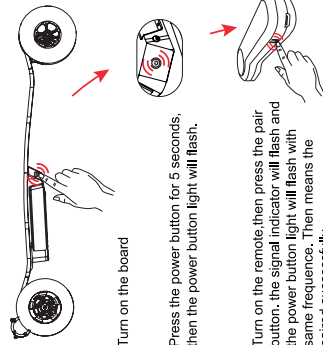
Thank you for buying our electric skateboard. Do note that an electric skateboard is not a toy. Please take time to learn it and read this manual carefully. Particularly the safety instruction pages.

We hope you will enjoy this product and have lots of fun with it in the future

1

PAIR INSTRUCTION

At the first step, the Board and Remote must be paired. Before starting, to ensure the Board and Remote are turned off.



Turn on the board

Press the power button for 5 seconds, then the power button light will flash.

Turn on the remote, then press the pair button, the signal indicator will flash, and the power button light will flash with the same frequency. Then means the pair is successful.

Push the joystick forward to test the accelerate and backward to test the brake. After testing all functions normally, you can start your riding.

5

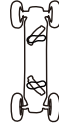
PREPARATION



1. Be sure that you wear a helmet and safety gear when you ride it.



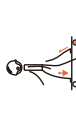
2. Confirm the front direction of the skateboard.



3. Confirm the position on the skateboard. The foot stands on the widest front and back skateboard.



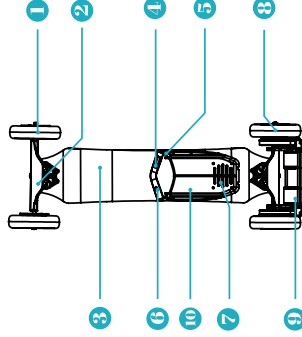
4. Please start with the low speed mode to be familiar with the accelerate and brake of the skateboard.



5. Please stop riding by remote control brake operation, then get down your front foot at first, and then get down your back foot.

2

PARTS DIAGRAM



- 1 Front wheel
- 2 Front Truck
- 3 Deck
- 4 Battery indicator
- 5 Charge port
- 6 Heat sink hole
- 7 A belt cover
- 8 Hub motor wheel
- 9 Battery case
- 10 Charge port
- 11 Battery indicator

3

SAFETY INSTRUCTIONS

⚠ The electric skateboard is not a toy, should be treated with appropriate caution. Always practice safety first-as it is possible to lose balance and cause a collision or fall. Ensure that you use the board in a safe appropriate environment, and always wear appropriate safety gear.

🧑 Safety Gear: we recommend that you wear full safety gear while riding. Please wear a suitable skateboard helmet, elbow pads, knee pads, and gloves.

👟 Wear shoes: Flipflops or similar loose footwear are not suitable for riding wear.

👴 The skateboard is designed for rider over 10 years old and above.

🚫 Only one person riding for each skateboard at a time. The maximum load of the board is 150kg. Exceeding this weight will compromise the structural integrity of the skateboard, as well as remote and functionality, and may cause board damage, losing control or other breakage.

7

REMOTE CONTROL



Speed control

Accelerate

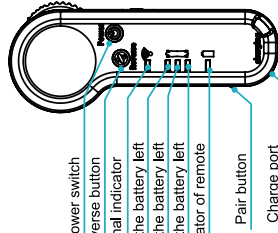
Brake

Speed mode toggle

High

Middle

Low



Power switch

Reverse button

Signal indicator

100% of the battery left

50% of the battery left

10% of the battery left

The battery indicator of remote

Pair button

Charge port

4

🚫 Please observe your local traffic laws and regulations.

⚠ The board is designed to drive on flat and paved surfaces. Avoid driving on sand, gravel, mud, rugged or open ground. Do not drive on slippery ground, such as snow, ice or wet ground.

🧤 Keep fingers, hairs, and clothing away from motors, wheels and moving parts.

🚫 Do not open or tamper with electronics housing. Electroshock is possible and this also voids the warranty.

8

USER MANUAL